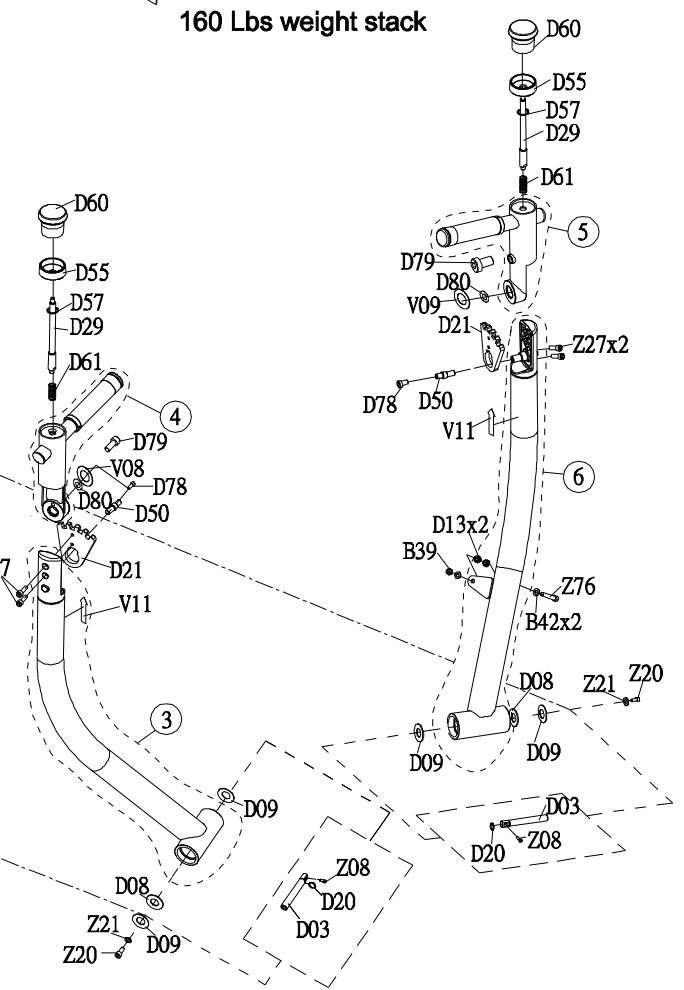
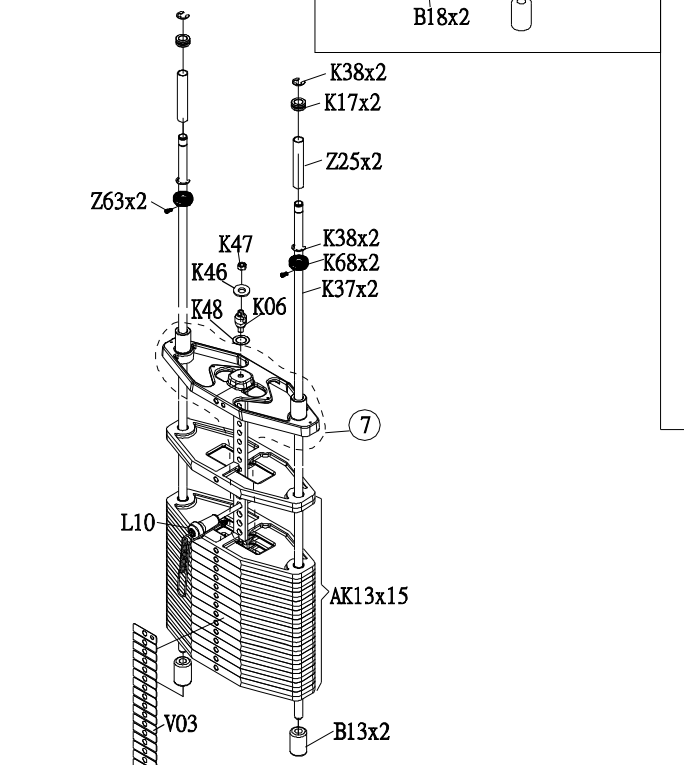
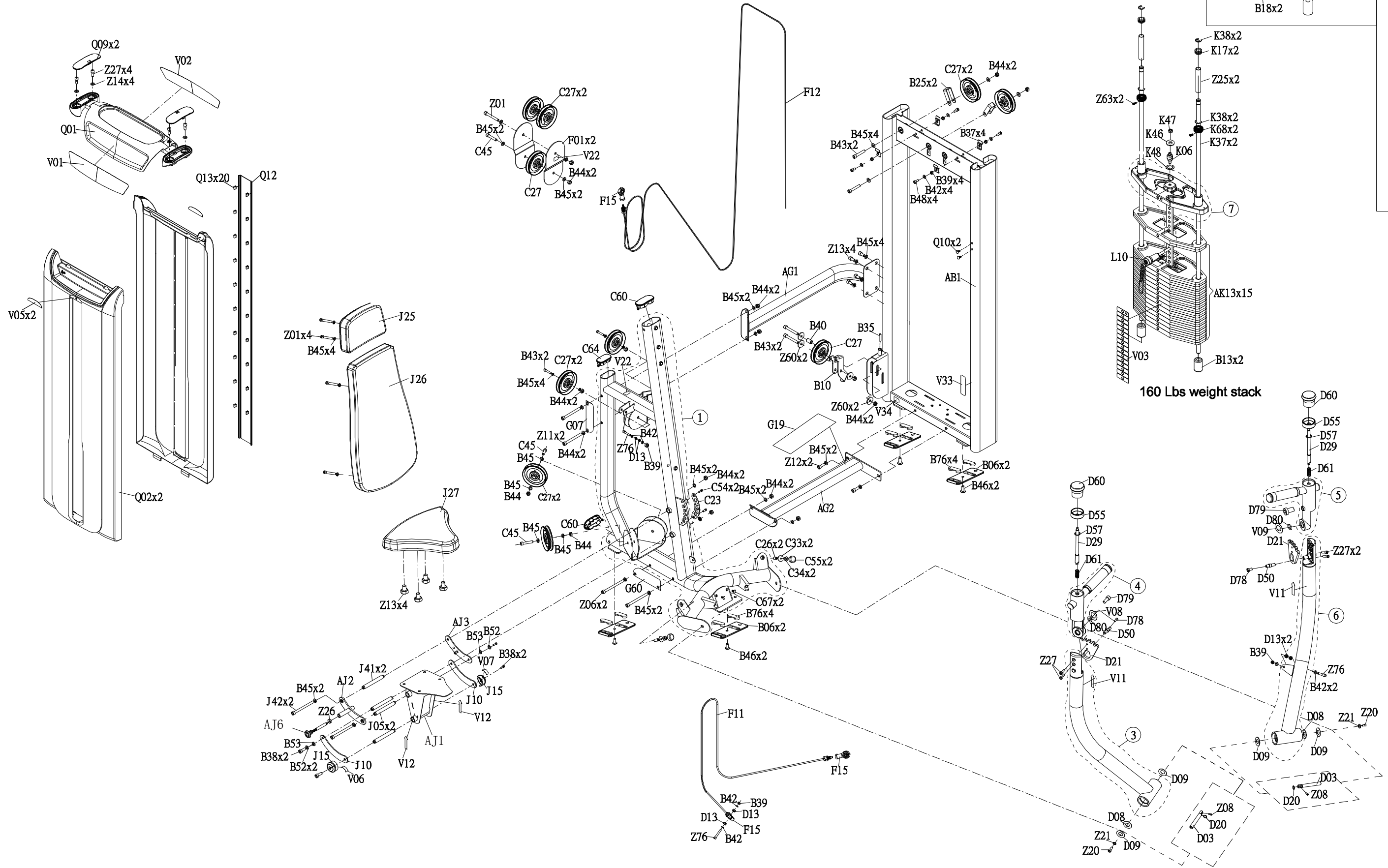
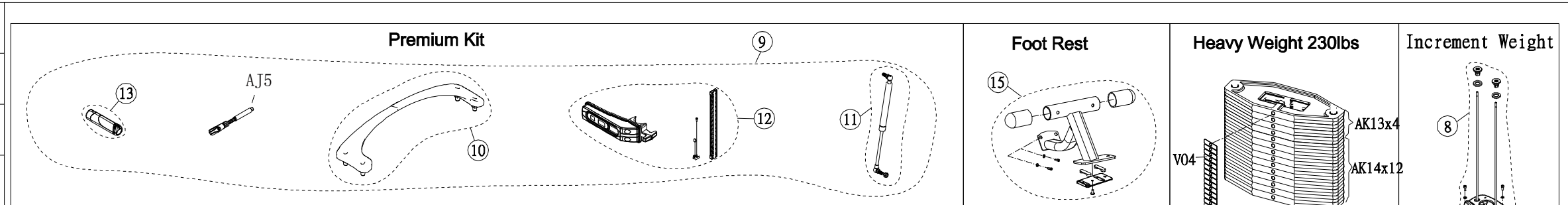
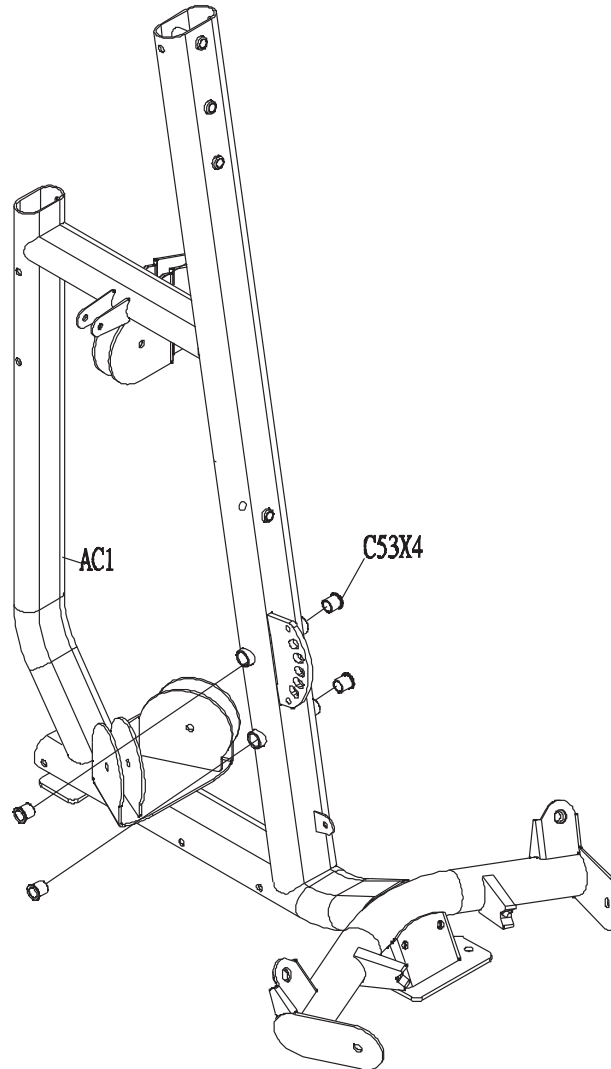


DRAWING NO	PVSGM59-KM		
PART NAME	Explosive Diagram		
PART NO	MGM0451-00	REV	C
APPROVE	Chendongming	DATE	2017.09.14

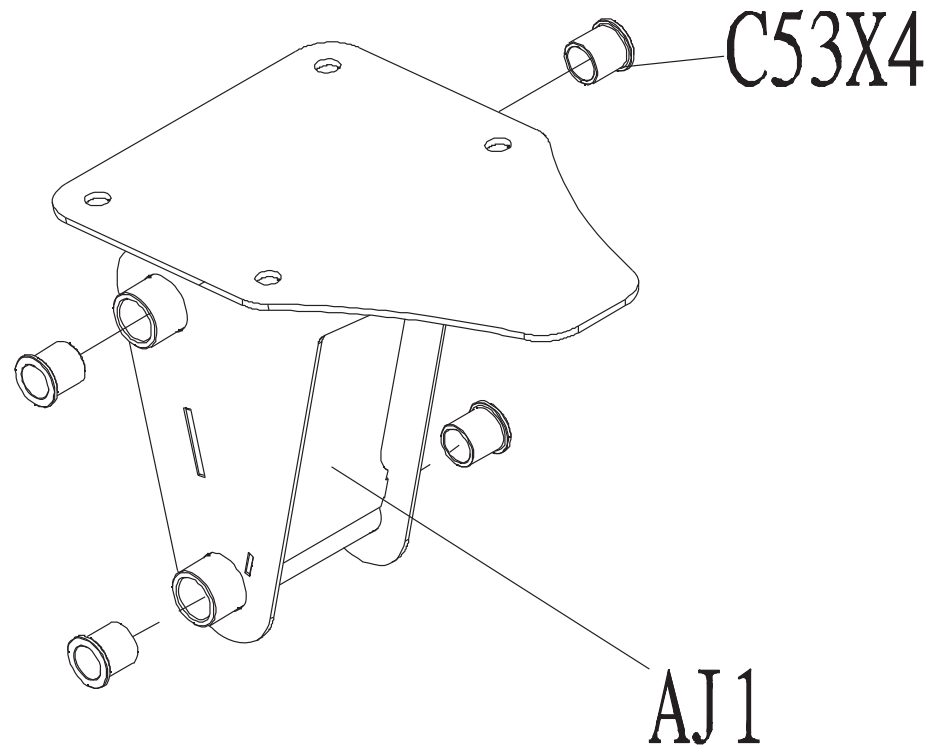


DRAWING NO	
PART NAME	<b>Base Set</b>
PART NO	<b>1000112987</b>
APPROVE	<b>PAUL</b>
DATE	<b>20120711</b>

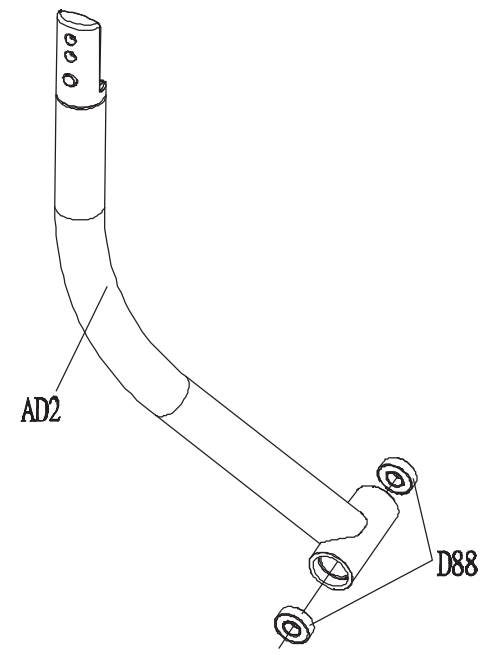
REV  
A



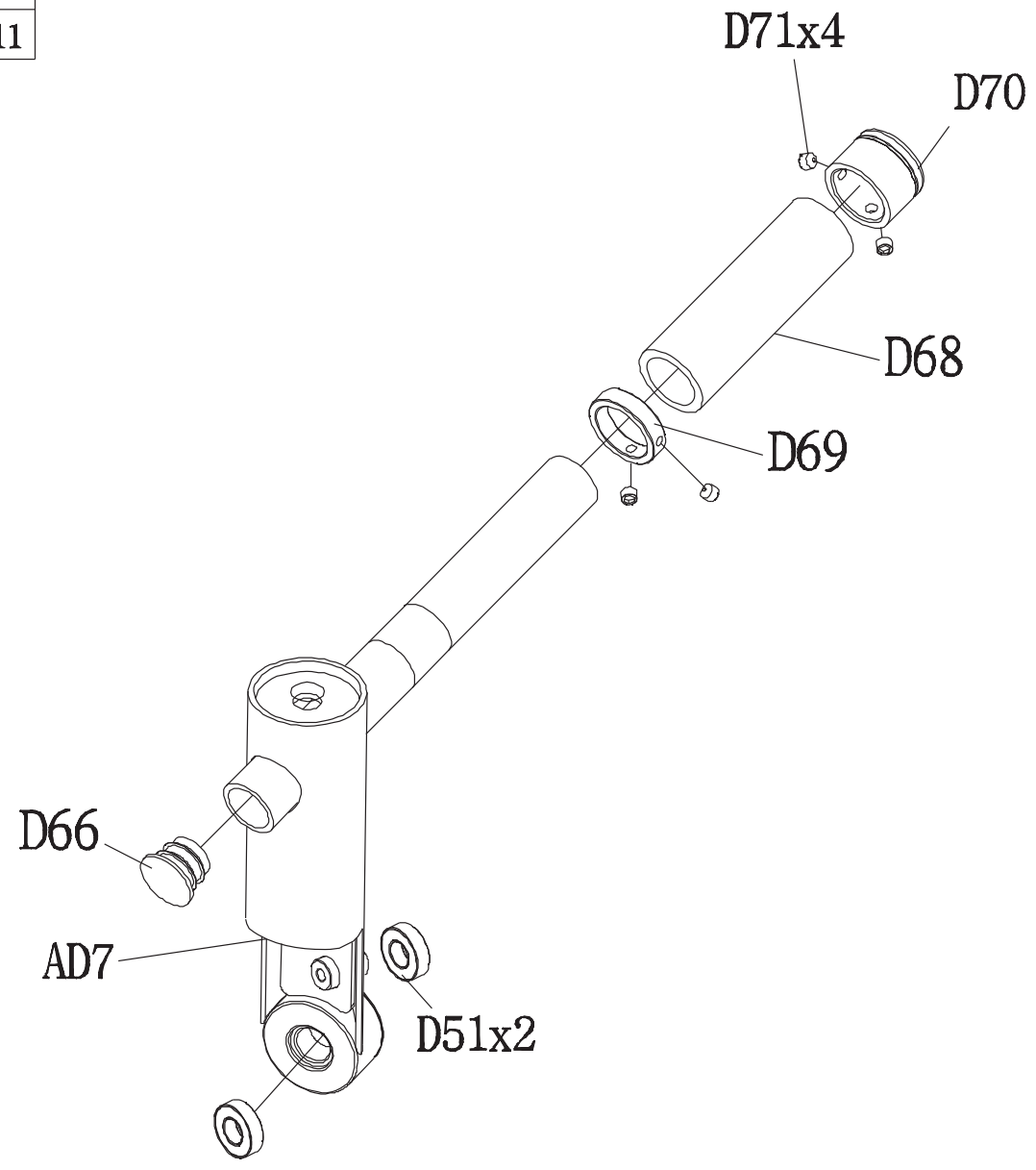
DRAWING NO	
PART NAME	DISASSEMBLY CONNECT SET;SA;LU
PART NO	1000226809 <small>REV</small> A
APPROVE	PAUL DATE 20120711



DRAWING NO			
PART NAME	Link Arm Set;R		
PART NO	1000113014A		
APPROVE	PAUL	DATE	101411

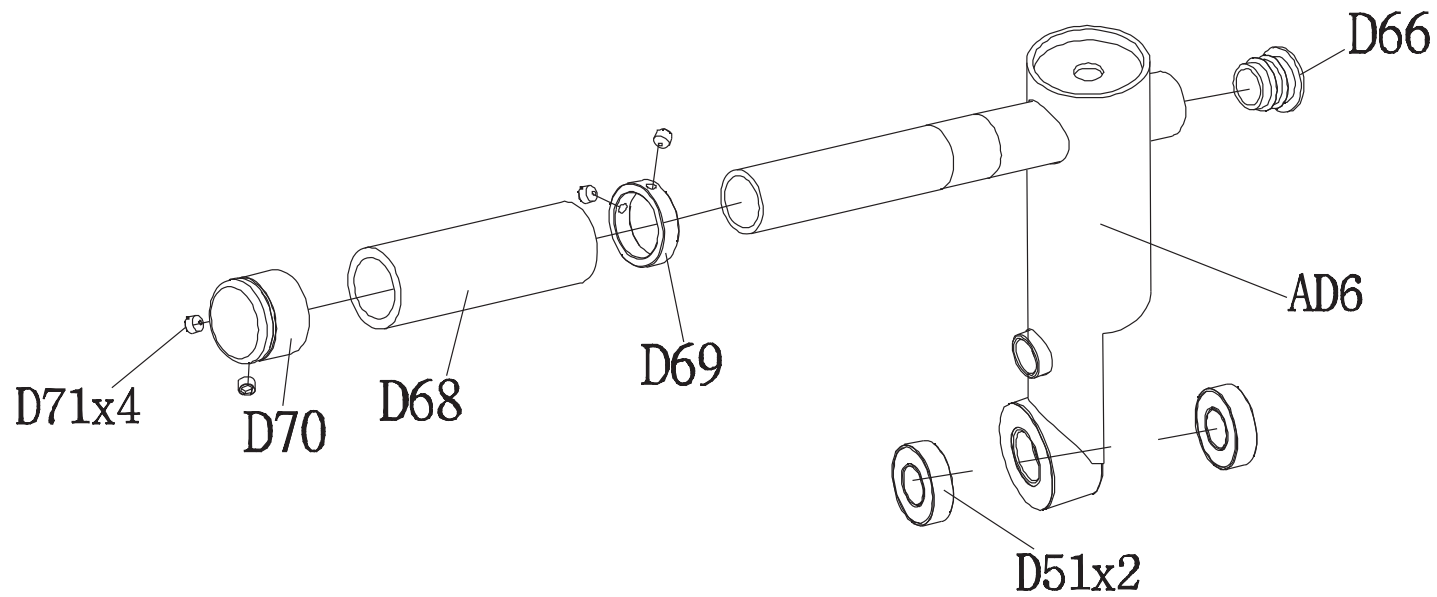


DRAWING NO	
PART NAME	ADJUSTMENT SET;R:GM59-KM;AR;
PART NO	1000215696
APPROVE	JOHN
DATE	20120711
	REV B



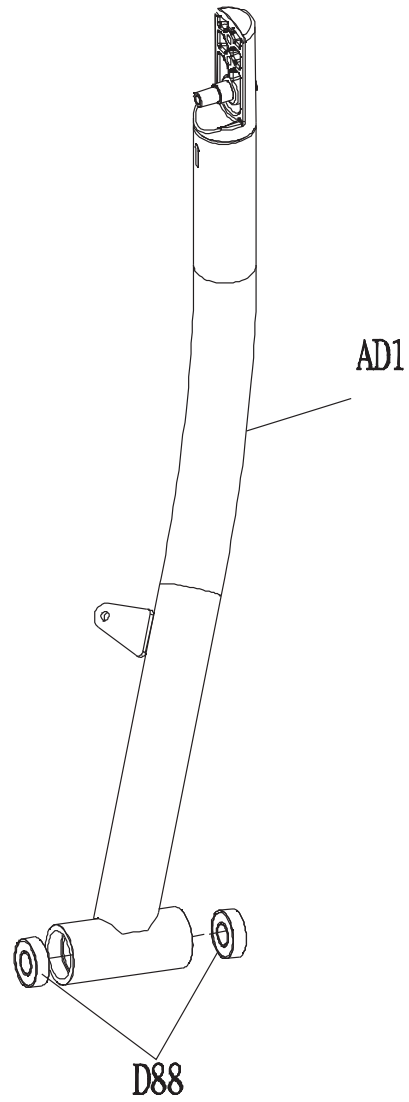
DRAWING NO			
PART NAME	ADJUSTMENT SET;L;GM59-KM;AR		
PART NO	1000215711		
APPROVE	JOHN	DATE	20120711

REV  
B

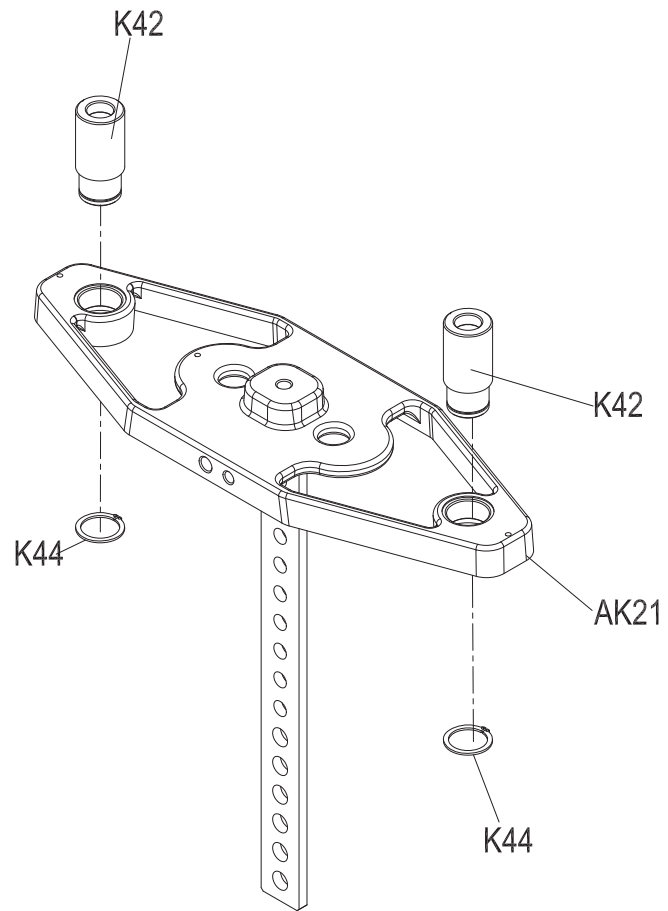


DRAWING NO	
PART NAME	Link Arm Set;L
PART NO	1000113040
APPROVE	PAUL
DATE	20120711

REV A

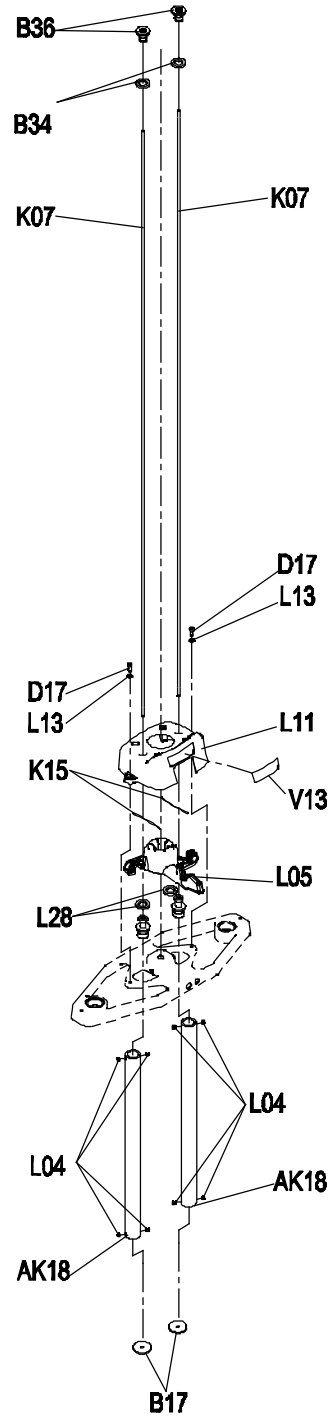


DRAWING NO			
PART NAME	Head Plate		
PART NO	1000207217	REV	A
APPROVE	CINDY	DATE	2012114



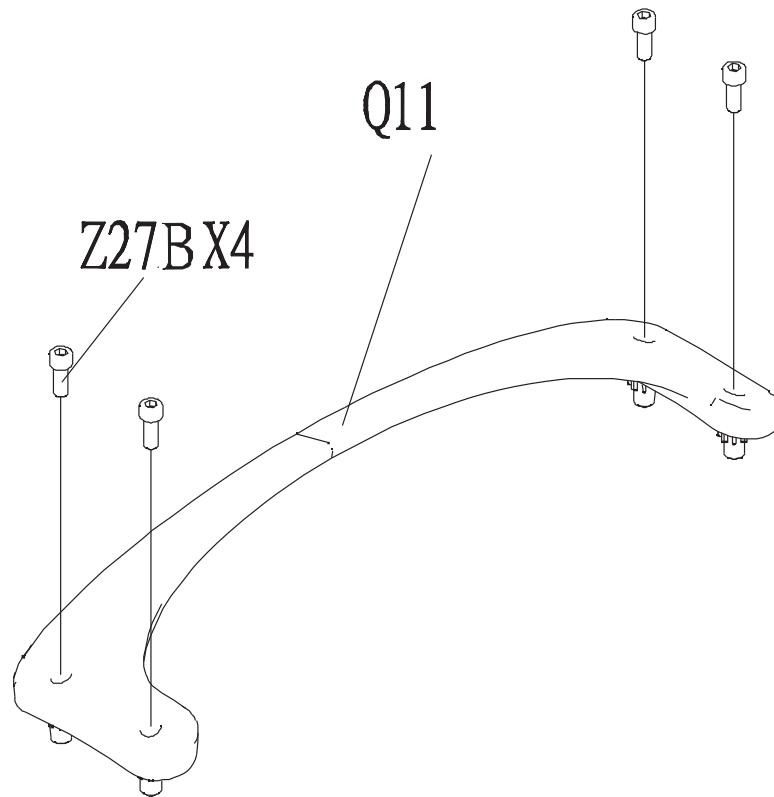


DRAWING NO			
PART NAME	Assistant weight Plate Set		
PART NO	1000113110	REV	A
APPROVE	ANDY	DATE	20130125

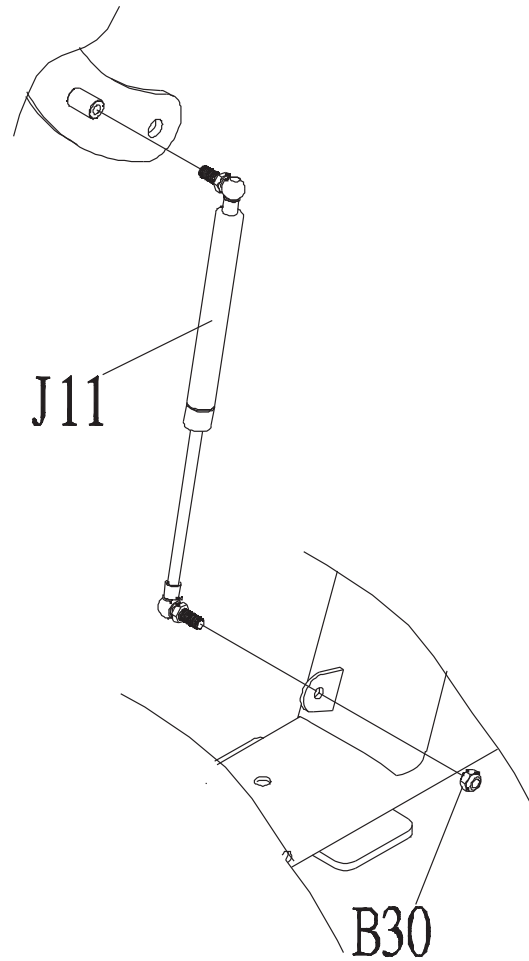


DRAWING NO	
PART NAME	SHIELD SET;U
PART NO	1000220477
APPROVE	PAUL
DATE	20120711

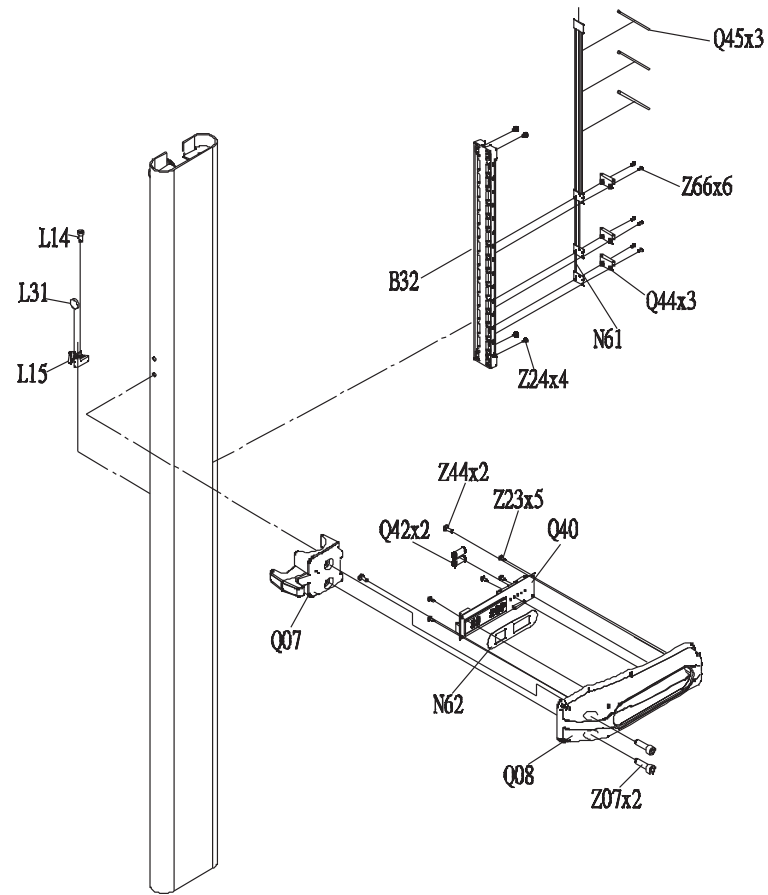
REV  
A



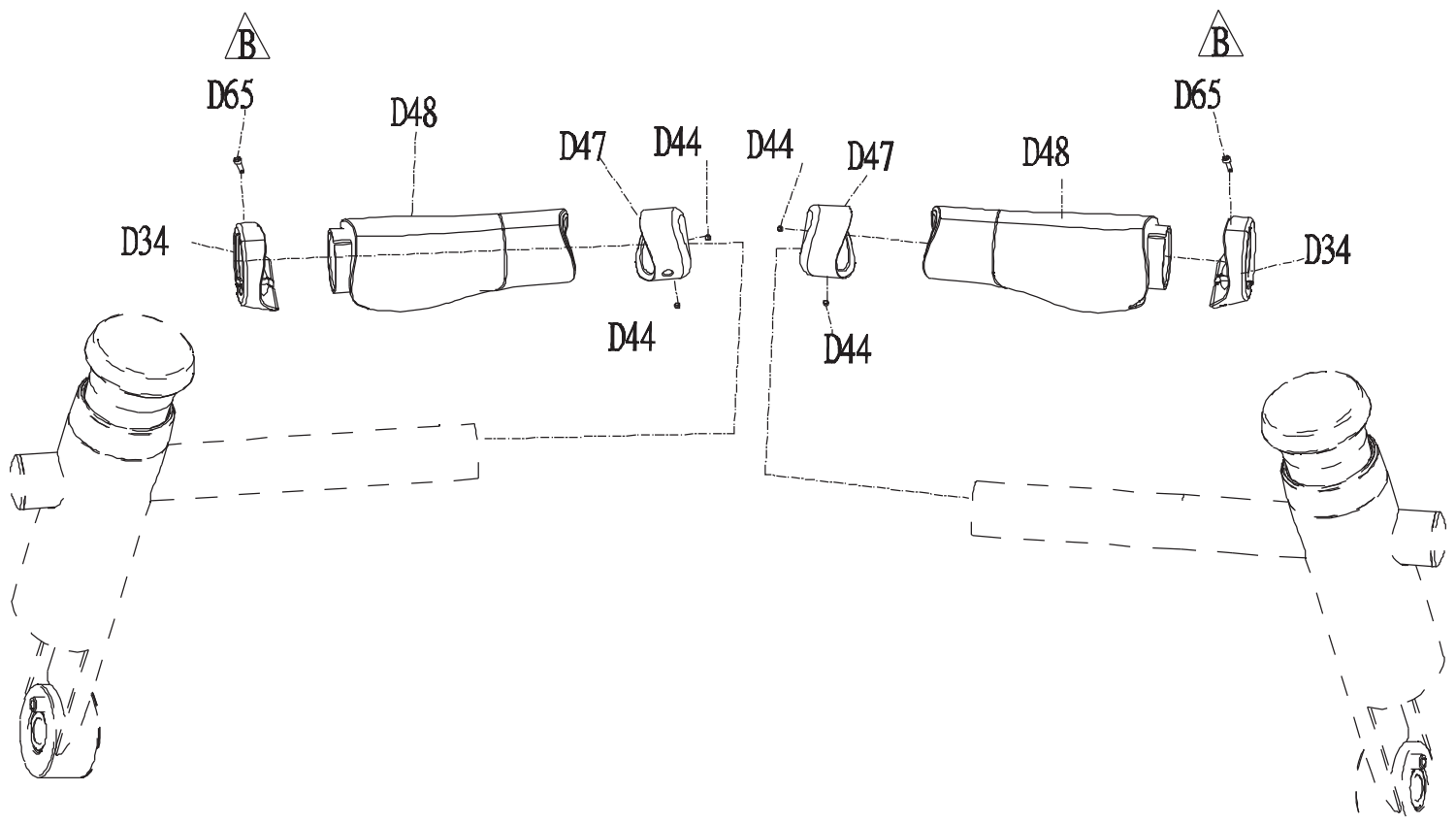
DRAWING NO	
PART NAME	AiR Shock Set
PART NO	1000220728 <small>REV</small> A
APPROVE	PAUL DATE 20120711



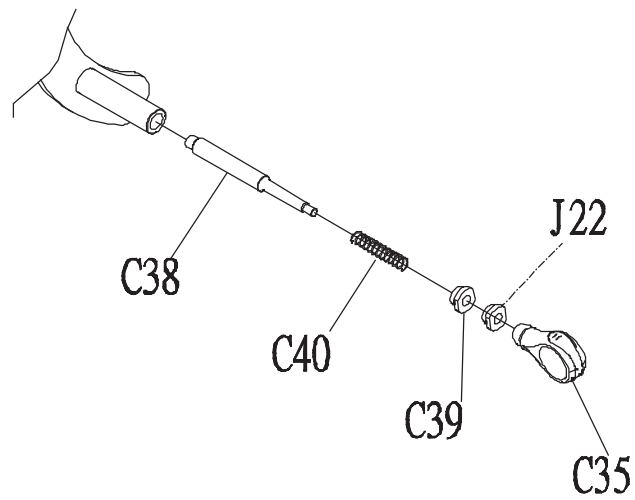
DRAWING NO	
PART NAME	<b>SENSE ORGAN SET</b>
PART NO	1000200250 <span style="float: right;">REV A</span>
APPROVE	JOHN      DATE 20120711



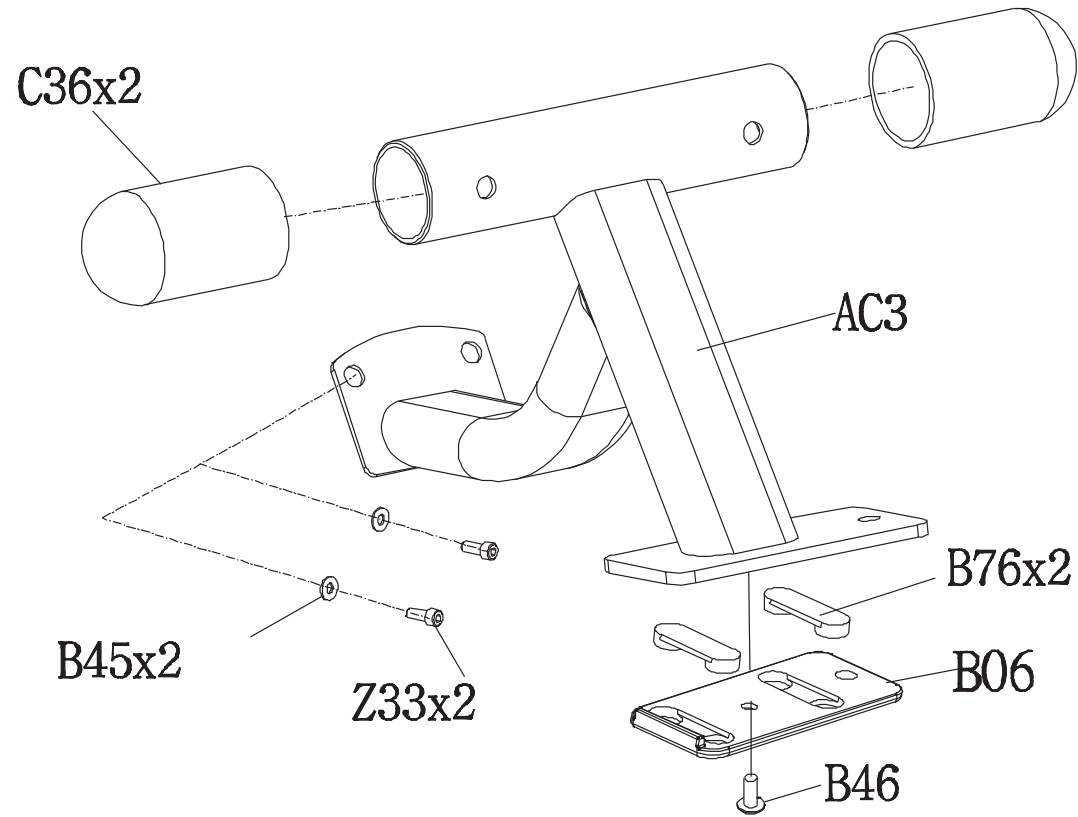
DRAWING NO	
PART NAME	HANDLE SET;SA;PREMIUM LINE
PART NO	1000209578 <small>REV B</small>
APPROVE	PAUL DATE 101411



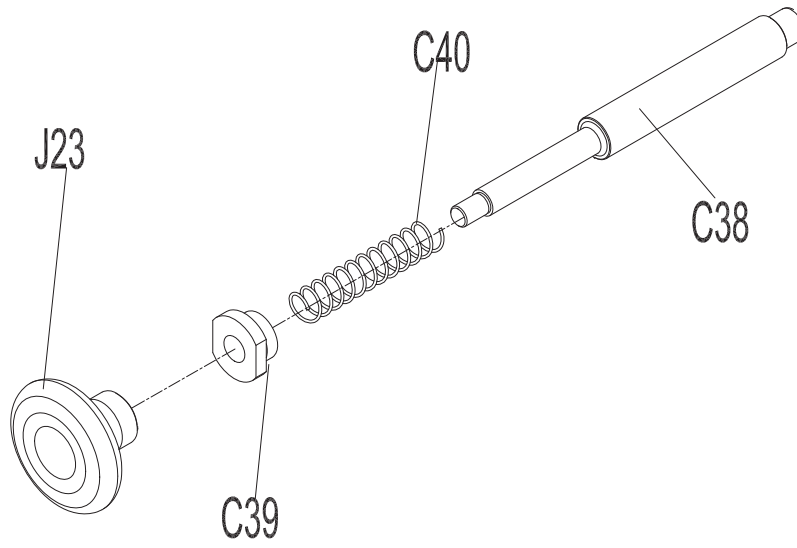
DRAWING NO	
PART NAME	PIN SET;SA;ADJUSTABLE (PREMIUM LINE)
PART NO	1000209569  A
APPROVE	PAUL
DATE	101411



DRAWING NO	
PART NAME	FOOT FRAME SET
PART NO	1000209585 <span style="float: right;">REV A</span>
APPROVE	JOHN      DATE 20120711



DRAWING NO	
PART NAME	PULL PIN
PART NO	1000209623
APPROVE	CINDY
DATE	20111212
	REV A





Bubble#	OEM Number	Description	Notes
1	1000112987	Base Set GM59-KM	
10	1000220477	PREMIUM - SHIELD SET U GM59 -	
11	1000220728	PREMIUM - Air Shock Set GM59-KM	
12	1000390201	PREMIUM - REP COUNTER right GM61/GM64/GM65/	
13	1000209578	HANDLE SET SA GM59 (PREMIUM LINE)	Includes both grips.
15	1000209585	FOOT FRAME SET - GM59 -	
2	1000466205	Seat Adjustable Set Semi-Assy Iced Sliv	This part is Iced Silver Dark Gray is discontinued. See service bulletin "Seat Adjustable Set Color Change".
3	1000113014	Link Arm Set R GM59	
33	055200-AB	Screw Hex M10X1.5PX25L HE CHM	
4	1000215696	ADJUSTMENT SET R GM59-KM AR	
5	1000215711	ADJUSTMENT SET L GM59-KM AR	
6	1000113040	Link Arm Set LGM59	
7	1000207217	Wps Superstratum GM59	
8	1000113110	Assistant Weight Plate Set GM59-KM	Kit works with both light and heavy weight plate stacks. // Incremental Weight Plate Set Includes all Premium Kit Parts.
9	1000220918	PREMIUM LEVEL SA GM59-KM	
AB1	1000112968	Frame Set GM59-KM	
AG1	1000226808	DISASSEMBLY CONNECT SET SA GM59-KM	
AG2	1000226812	BASE CONNECT SET SA CONNECT TUBE GM59-KM	
AJ1	1000466205	Seat Adjustable Set Semi-Assy Iced Sliv	AJ1 + 4 C53 bushings
AJ2	1000226810	DISASSEMBLY CONNECT SET SA RU GM59-KM	Color changed from Dark Grey to Black Matte beginning in 2021. See service bulletin "Seat Adjustable Set Color Change".
AJ3	1000226811	DISASSEMBLY CONNECT SET SA SEAT GM59-KM	Color changed from Dark Grey to Black Matte beginning in 2021. See service bulletin "Seat Adjustable Set Color Change".
AJ5	1000217204	PIN SET R SA (PREMIUM) GM70-KM	Premium version of AJ6.
AJ6	1000305793	Pin set Semi-Assy FW212-KM	Order AJ5 for Premium.

AK13	1000215667	Weight Plate axle sleeve - Extrawork,10LBS GM	10lb plate
AK14	1000215776	WPS set axle sleeve - Extrawork,15LBS GM	15lb plate
AK18	1000207211	Wps Set Assistant GM59	
AK21	1000207218	Wps Set Superstratum Paint GM59	Kit works with both light and heavy weight plate stacks.
B06	1000303546	Plastic Pad Foot Pad - PP BL427	
B10	1000230611	SUPPORT PLATE WHEEL SPHC CHM GM59	
B13	1000112985	Elastomer Weight Plate GM59	
B17	1000112984	Elastomer Assistant Weight Plate GM59	
B18	1000200252	RUBBER STOPPER - GM59	
B25	1000204728	FIXING PLATE ROPE WHEEL SPHC GM59-KM	
B30	004929-00	Nut Nylon M8x1.25P Chromed	
B32	1000096026	Fixing Base Sensor ABS GM40	
B34	1000215843	PLASTIC PLATE FRAME CR -	
B35	1000230891	SCREW SET M10X1.5PX65L FLATHEADED HS C	
B36	1000215844	Guide Rod fitting, Chromed	
B37	1000221624	BLOCK - - PAINTING - - -	
B38	1000108805	Screw RND M8x1.25Px20L HS CHM BP G12.9	
B39	004929-00	Nut Nylon M8x1.25P Chromed	
B40	1000393987	Sleeve CON Tube painting Iced Sliver G	
B42	005130-00	Washer Flat 8.4x15.5x1.6T Chromed	
B43	1000108796	Screw RND M10x1.5Px55L HS CHM BP G12.9	
B44	1000105174	Nut Nylon M10x1.5P G12.9 CHM	
B45	020465-AB	Washer Flat M10.2X25PX2.0T Chromed	
B46	004694-AC	Screw Hex Socket Flat M8x1.25Px10L	
B48	004493-00	Screw Hex Socket Round M8x1.25Px16L	
B52	081649	Washer SPL SW8 8.2X13.5X2.0T CHM	
B53	005129-AB	Washer Flat 8.0X23.0X2.5T Chromed	
B76	1000233200	PLASTIC COVER NBR BL	
C23	1000113094	Adjust Plate Seat Chair Chromeplate SPHC	
C26	1000209557	Pillar Buffer - 20# Chrome PGM59-KM	
C27	073573	Pulley 115mm	
C33	082535	WASHER FLT Diam.8.2XDiam.38.0X2.0T SPHC	
C34	004911-00	Nut Hex M16x2.0Px7.0L Zn Pl	

		Adjustment Grip Set - APPLY RED LOCTITE TO PIN THREADS
C35	096165	WHEN INSTALLING REPLACEMENT HANDLE
C39	1000102675	Stopper Block Pull Pin GM43
C40	1000358938	Spring Compression 1.2x12.9x65Lx12N 65
C53	1000096014	Bushing 15x19x20T GM40
C54	1000108806	Screw RND M10x1.5Px15L HS CHM BP G12.9
C55	1000487589	Stopper Block SBR BL/Black C FW202
C60	1000205448	PLASTIC COVER - - - GM59
C64	1000207249	PLASTIC COVER - ABS 40X80
C67	1000104003	Cap Insert Nut GM40-KM
D03	1000113020	Mandrel Whirl Arm 20# GM59
D08	1000207188	WASHER DSP Diam.20.4XDiam.40.0X1.5T 50CR
D09	1000207189	SHIM BEARING - SPHC - - Cr
D13	1000113066	Space Mass Mast Bearing 20# Chromeplate
D17	1000108801	Screw RND M5x0.8Px15L HS CHM BP G8.8
D20	005370-00	C-Clip External S-20
D21	1000215693	ADJ PLATE GRIP - SPHC CHM GM59-KM
D29	1000113057	Mandrel Pull L Chromeplate 45# GM59
D34	096214	Fixing Ring ADC12 GM40
D44	004855-AC	Set Screw M6X1.0PX4L
D47	096215	Cap Cover Grip ADC12 GM40
D50	1000215692	AXLE, CENTRAL 20 - GRIP(ARM REST)
D51	1000425341	Bearing Ball BR6002ZZ CSC
D55	1000209550	PLASTIC COVER ADJUSTABLE HANDLEBAR ABS -
D57	005362-00	C-Clip External S-16
D60	1000215713	GRIP U ABS PA T OR ADJUSTMENT GM59-KM
D61	1000215721	SPRING CMP ?X13.0X38.2 65MN WZN
D65	1000108801	Screw RND M5x0.8Px15L HS CHM BP G8.8
D66	029160-AA	End Cap Handlebar
D68	1000209553	FOAM ELASTOMER Diam.30.4X5TX125L GM59 -
D69	009355-B	Stopper Mast Foam AL6061 GM02
D70	009372-E	Cap Grip GM02
D71	084241	Screw Set M6X1.0PX5L BP POT
D78	004793-AD	Screw BH M10X1.5PX15L HS CHM BP

D79	1000102862	Screw Hex Socket Round M8x1.25Px30L Cr P
D80	020426-00	Washer Flat 8.2x30.0x1.5T
D88	004081-A2	Ball Bearing 6204ZZ 20x47x14t TPI
F01	1000226813	FIX SET SA PULLEY GM59-KM
F11	1000113062	Tightwire A Diam.5.6x2503L GM59
F12	1000489921	Steel Rope-Extrawork Press Rope Hand D
F15	004133-00	Bearing Lower Link Arm End PHS 12(M12x1.75P) Huei
G07	1000228973	FIX SET SA GM68
G19	1000216939	Protective Adhesive
G60	1000215741	FIXED SET - RD PAINTING - - GM63
J05	1000113092	Axis Connect Pole 45# Chromeplate GM59

Color changed from Dark Grey to Black Matte beginning in 2021. See service bulletin "Seat Adjustable Set Color Change".

J10	1000113093	Connect Plate D painting Black Matte G
J15	1000113095	Cover Seat Chair GM59
J41	1000227041	SLEEVE S45C WZN CONNECTING
J42	084666	Screw SH M10X1.5PX160L HS CHM
K06	1000113106	Tightwire Fix Pin 45# GM59
K07	1000113102	Guide Rod SUS304 Diam.6X1421.7 GM59
K15	1000204997	Steel Weight Plate Up 1080 Spring Steel
K17	1000202352	Cushion Guide Rod
K37	1000209625	GUIDE ROD 45 - WEGHT PLATE
K38	1000102915	Circlip E Type E-15 Cr Plate
K42	1000215659	BUSHING GUIDE ROD POM
K44	1000102912	Circlip External C Type S-30 BED
K46	1000404991	Washer Flat Diam.12.5XDiam.34.0X1.5T Ch
K47	004945-00	Nut Nylon M12x1.75P Chromed
K48	020509-A	Washer Diam.12.5XDiam.25.0X1.0T Chrome
L02	1000113107	Axis Sheath Leader GM59
L03	1000211166	PLASTIC BASE ADD WEIGHT PLATE POM GM5
L04	1000210485	SCREW SET M5X0.8PX6L FLAT POINT HS G8.8
L05	1000200264	GRIPE ABS+TPR GM59
L10	1000201802	PULL PIN SET WPS GM62 -

L11	1000207213	COVER INCREMENTAL WEIGHT ABS - - -	
L13	070571	Washer Flat 5.2X10.0X1.5T CHM	
L14	1000108801	Screw RND M5x0.8Px15L HS CHM BP G8.8	
L15	1000209576	PLASTIC BASE MAGNET ABS FIXING	
L28	1000224913	Cushion Aaw Nbr BI	
L31	1000232864	PERMANENT MAGNET - 1500## ##	
N61	1000229510	WIRE DISPLAY BOARD -- OKI HARBOR 2.5-	
N62	1000096575	Overlay Manipulate GM40	
Not Shown	ZMS4003241	Decal, QR, VS-S13 Conv Chest Press	
Q01	1000113113	Cover Up ABS GM59	
Q02	1000113114	Cover Front Clarity ABS GM59	
Q07	1000209577	PLASTIC BASE REP COUNTER - FIXING	
Q09	1000209593	END CAP ACCENT	
Q10	1000224767	Plastic Cover - - PP - - - -	
Q12	1000209591	PLASTIC BAR - PVC - LABEL	
Q13	1000303486	Clamp Cover -	
Q42	ZMS4001255	Battery, AA for console	
Q44	001679-00	Tie Strap Adhesive Nylon 66 HC-101 W	
Q45	005811-00	Cable Tie Nylon Black 160L	
V01	1000215705	INSTRUCTIONAL LABE FRONT GM59-KM	
V02	1000215706	INSTRUCTIONAL LABE REAR GM59-KM	
V03	1000215718	SPEC LABEL 10 LB WEIGHT PLATE BLACK PC	10lb labels
V04	1000409123	Direction Label Weight Plate 230lbs/140k	15lb labels
V05	1000215704	MARKING GM59-KM	
V06	1000215723	DIRECTION LABEL SEAT ADJUSTABLE - PC LEF	
V07	1000215724	DIRECTION LABEL SEAT ADJUSTABLE - PC RIG	
V08	1000215707	DIRECTION LABEL GRIP ADJUSTMENT LEFT G	
V09	1000215722	DIRECTION LABEL ANGLE ADJUSTIC - PC RIGH	
V11	1000215877	DIRECTION LABEL PEDAL ARM ADJUSTICAL PC	
V12	1000217282	DIRECTION LABEL SEAT ADJUSTABLE - PC -	
V13	1000221799	DIRECTION LABEL AAW - PC -	
Z01	004518-00	Screw SH M10X1.5PX75L HS CHM	
Z06	1000104707	Screw Hex Socket Round M8x1.5Px125L Adh	
Z07	098577	SCREW HEX M8X1.25X35L	

Z08	1000104691	Screw RND M10x1.5Px30L HS G12.9 CHM BP	
Z11	1000105259	Screw Round M10x1.5Px105L Hex Socket G12	
Z12	1000231572	SCREW SH M10X1.5PX20L HS BP CHM	
Z13	1000102584	Screw Hex M10x1.5Px20L Cr Plate G12.9	
Z14	005047-00	Washer Flat 8.2x20x1.8T Black Zinc	
Z20	082866	SCREW SH M12X1.75PX25L HS CHM	
Z21	005132-00	Washer Flat 13x26x2.5T Chromed	
Z23	020196-A	Screw Phillip BH Tapped 3x6L Zn-BL	
Z24	004870-00	Screw Plain Tapping Rail Lock 5x15L	
Z26	1000215728	DIRECTION LABEL SEAT ADJUSTABLE PC	
Z27A	1000097206	Screw SH M8X1.25PX25L HS CHM BP	
Z27B	020081-00	Screw SH M8X1.25PX60L HS G12.9	Used with Shield Set (premium kit)
Z44	1000104672	Screw BH M5x0.8Px10L HS CST CST CST CHM	
Z60	005144-AC	Washer Flat 10.2X35.0X2.0T Chromed	
Z63	004442-AB	Screw Hex Socket Round M4x0.7Px10L	
Z66	040816-A	Screw Phillip BH Tapped 3x8L	
AC1	Part of Kit 1	Base Set Painting GM59	
AC3	Part of Kit 15	FOOT FRAME SET PRINTED GM59 -	
AD1	Part of Kit 6	Link Arm L Painting GM59	
AD2	Part of Kit 3	Link Arm Set R Painting GM59	
AD6	Part of Kit 5	Hold Adjust L Painting GM59	
AD7	Part of Kit 4	Hold Adjust R Painting GM59	
AK21	Part of Kit 7	Wps Set Superstratum Paint GM59	
C45	020107-ZA	Screw Hex Socket Round M10x1.5Px50L	
D48	Part of Kit 13	Grip Pedal Arm wrap rubber GM40-KM	
J11	Part of Kit 11	AIR STICK 23KG 336.5L GM59	
J25	See Pad Matrix	PAD SET SA HEAD PAD GM59-KM BK	
J26	See Pad Matrix	BACK PAD MIDDLE PU NO LEATHER GM59-KM	
J27	See Pad Matrix	Seat Set BL Semi-Assy GM40-KM	
Not Shown	1000113118	Hardware Kit	
Q08	Part of Kit 12	RenderingPLASTIC COVER COUNTER TPR	
Q11	Part of Kit 10	GRIPEND TOP COVER - - - ADC12	
Q40	Part of Kit 12	UCB Matrix GM40 H102S1.60	
Z76	004570-ZAB	Screw Hex Socket Sink M8x1.25Px50L Adher	

2	1000113079	Seat Chair Adjust Set GM59-KM	Discontinued - Dark Gray - Used before VSGM59CY2105G006. See service bulletin "Seat Adjustable Set Color Change".
AJ1	1000226809	DISASSEMBLY CONNECT SET SA LU GM59-KM	Discontinued - AJ1 + 4 C53 bushings
AJ5	1000209569	PREMIUM - PIN SET SA ADJUSTABLE# GM59	Discontinued - Premium version of AJ6.
AJ6	1000209623	PIN SET SA ADJUSTABLE#VALUE LINE# GM59 -	Discontinued - Order AJ5 for Premium.
B40	098979	Sleeve CON Dode Peadel Arm 45# GM40	Discontinued
C34	004911-00X	Nut Hex M16X2.0PX7.0T Zinc PROTECTED PAD FOOT FRAME PVC - - \\ D/C - Part will show	Discontinued
C36	1000209582	as orderable until stock is depleted.	Discontinued please order Kit 15.
C40	005486-E	Spring SWP GM09	Discontinued
C55	090440	Stopper BlockRubber GM30	Discontinued
F12	1000113063	Tightwire B Diam.4.8x4975L GM59	Discontinued
G60	1000226805	FIX SET SA GM63 SERVE	Discontinued Discontinued - Color changed from Dark Grey to Black Matte beginning in 2021. See service bulletin "Seat Adjustable Set Color Change".
J10	1000202023	Bracket Connect - Q195 6mm GM59-KM	
K68	062949-B	Limiting Ring Guide Rod	Discontinued
L01	1000215719	BUSHING Q195 - AAW	
Q10	1000233212	PLUG SET SEMI-FINISHED	Discontinued
Q13	1000209592	CLAMP COVER TINNERMAN D43806-014 - - -	Discontinued
V04	1000215727	DIRECTION LABEL WEIGHTPLATE#15LBS PC	Discontinued - 15lb labels
Z33	1000102584	Screw Hex M10x1.5Px20L Cr Plate G12.9	Discontinued